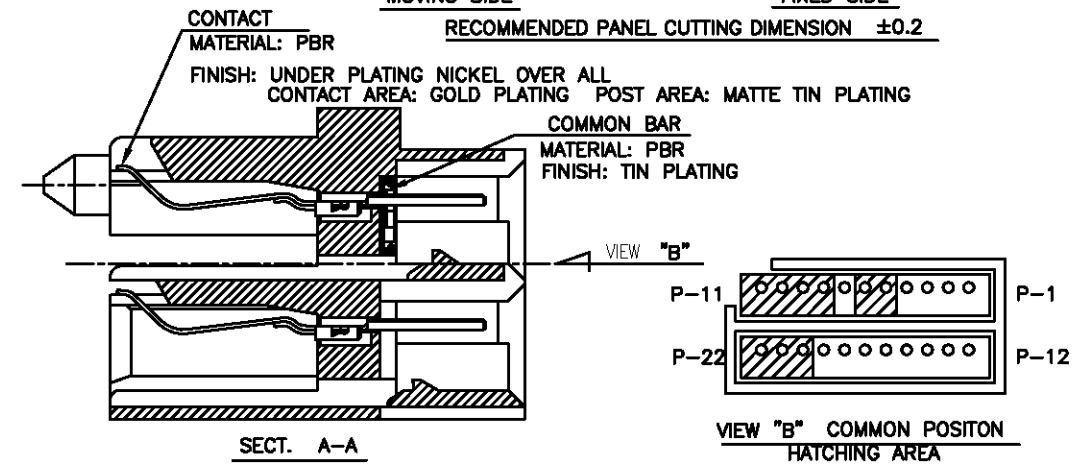
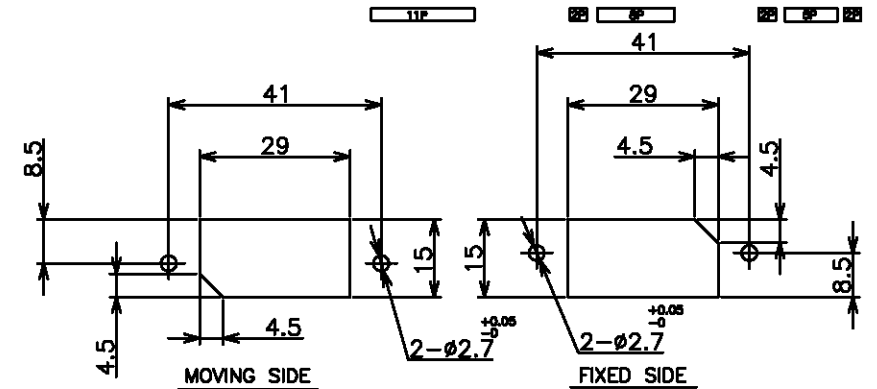


LOG	DIST	REVISIONS					
ES	00	P	LTR	DESCRIPTION	DATE	DMN	APVD
		A		REVISED FB00-0217-04	16DEC04	H.H	I.E

- NOTES:
- 1 APPLIED USED TAPPING SCREW P/N: 176848-1
 - 2 MATING CONN. OF POST SIDE: AMP CT CONN. HAS FOLLOWING PATTERN



— —	CUT	4.4	J	5-292178-1
— —	WITH	3.4	P	292178-2
— —	— —	3.4	P	292178-1
COMMON TAB	CORNER CUT	D	HSG TYPE	P/N

THIS DRAWING IS A CONTROLLED DOCUMENT.

DIMENSIONS: MM	TOLERANCES UNLESS OTHERWISE SPECIFIED	DMN J.JIANG OSFEB03	 Tyco Electronics Corporation Shanghai, P.R.China,200233
	0 PLC ±	CHK S.YAO OSFEB03	
	1 PLC ±	APVD T.SASAKI OSFEB03	
	2 PLC ±	PRODUCT SPEC	
MATERIAL	FINISH	APPLICATION SPEC	NAME
SEE SHEET	SEE SHEET	108-60021	22P MINI-DRAWER CONNECTOR
		WEIGHT	RESTRICTED TO
		CUSTOMER DRAWING	A3 00779 C=292178
		SCALE	SHEET 1 OF 1
		NTS	REV A